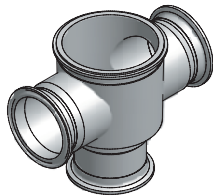


## SP160 Series Shut-Off Valve Replacement Parts



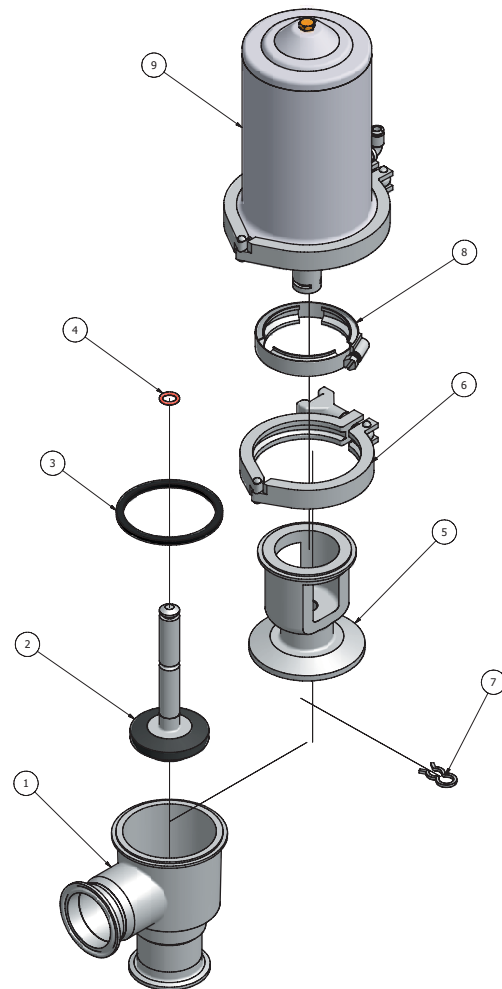
1A-Cross Body



9-Handle Assembly



3A- P.T.F.E. Seat Only



\* P.T.F.E. seats not recommended for temperatures below 45° F or above 180 °F

"X" = Valve Size

Item #	Part Number	Description	Qty.
1	SP160-7-X-1	VALVE BODY (TEE)	1
1A	SP160-9-X-1	VALVE BODY (CROSS)	1
2	SP160-7-X-2 SP160-7-X-2E SP160-7-X-2V SP160-7-X-2TS	BUNA PLUG AND STEM EPDM PLUG AND STEM VITON® PLUG AND STEM PTFE PLUG AND STEM	1
3	SP40B-2.5" SP40B-3" SP40B-3.5" SP40B-4"	GASKET FOR 1.5" VALVE GASKET FOR 2" VALVE GASKET FOR 2.5" VALVE GASKET FOR 3" VALVE	1
3A	SP160-7RS-X-2TH	PTFE SEAT ONLY	1
4	SP10-6	STEM "O" RING (RED VITON®)	1
5	SP160-7-X-3	BONNET	1
6	SP13HC-2.5" SP13HC-3" SP13HC-3.5" SP13HC-4"	CLAMP FOR 1.5" VALVE CLAMP FOR 2" VALVE CLAMP FOR 2.5" VALVE CLAMP FOR 3" VALVE	1
7	SP160-7-1.5"-9	SPRING CLIP	1
8	SP13Z-2.5"	BONNET CLAMP	1
9	SP10	ACTUATOR (AIR TO CLOSE)	1
	SP20	ACTUATOR (AIR TO OPEN)	1
	SP160-7-1.5"-HC	HANDLE ASSEMBLY	1